



## DELPH SEISMIC ANALOG ACQUISITION UNIT

**DELPH Seismic Analog Acquisition Unit** is the latest topside generation for acquiring seismic data. Embedding all necessary inputs and outputs, it accurately digitizes single to multi-channel seismic signals. Thanks to a single Ethernet output, acquired data is logged on any laptop or workstation running **DELPH Seismic Acquisition** software. This is a new standard for high-resolution seismic surveys with simplified integration, maintenance and operation.

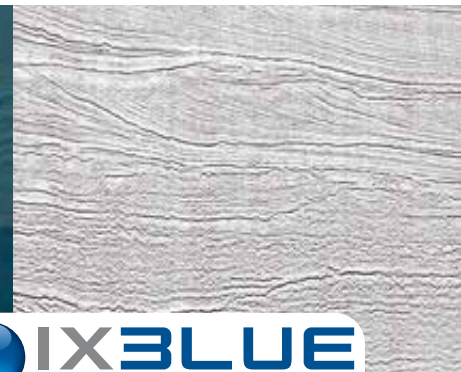
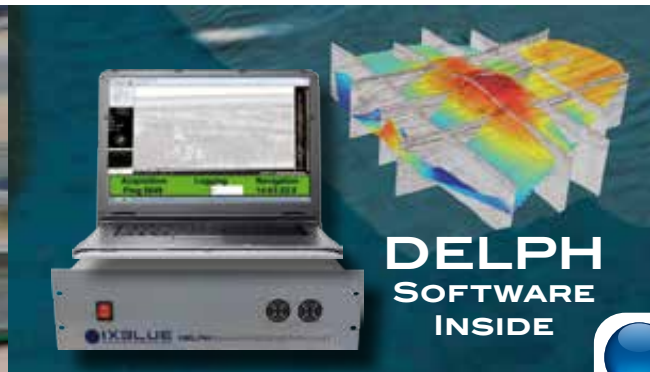
### FEATURES

- Single to multi-channel analog seismic
- Master and slave triggering modes
- 24-bit digitizing accuracy
- RS-232 inputs, Ethernet output
- Available as rack and portable system
- DELPH Seismic Acquisition included

### BENEFITS

- One single topside for sparkers, boomers and SBPs
- Seamless interfacing with existing systems
- Calibration free analog to signal converter
- One single digital connection with any computer
- Suitable for mobile and permanent setups
- Complete plug & play acquisition topside

**APPLICATIONS** • Geophysical survey • Aggregate resource assessment • Pipeline and cable route survey  
• Coastal engineering • Ports, harbours, inland waterways survey • Marine Archaeology  
• Wind farm and renewable energy construction pre-survey



# DELPH SEISMIC ANALOG ACQUISITION UNIT

## TECHNICAL SPECIFICATIONS

### INPUTS & OUTPUTS

#### Acoustic

Seismic input channels  
Resolution / Dynamic  
Input Range  
Sampling Frequencies

Up to 4, 8, 12 or 24 channels (BNC)  
24-bit (true 21-bit), 118 dB  
±10 Volts  
4, 8, 16, 32 and 64 kHz

#### Additional Connectors

Internal Synchronization (master)  
External Synchronization (slave)  
Auxiliary Sensor Input  
Digital Data Output

TTL signal (BNC)  
Configurable TTL signal (BNC)  
x2 configurable RS232 ports (DB9)  
10/100 Mb Ethernet port (RJ45)

### SOFTWARE

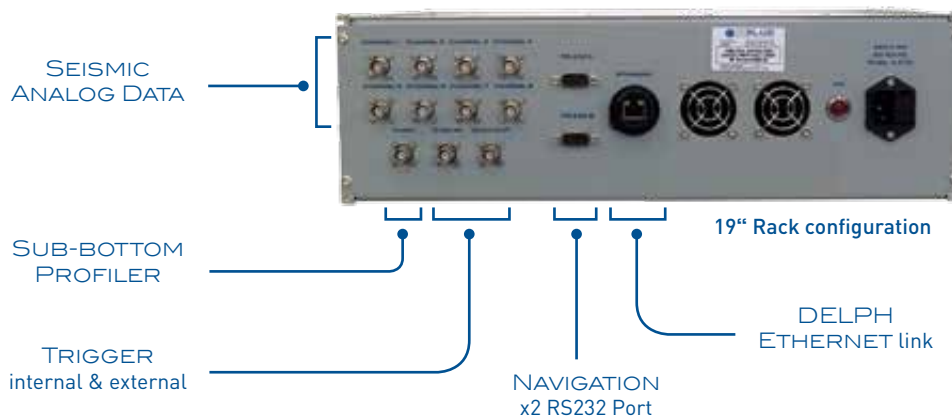
Acquisition software  
File formats

DELPH Seismic Acquisition included  
32-bit SEGY and XTF

### PHYSICAL CHARACTERISTICS

Form Factor  
Analog Acquisition Unit Dimensions  
Rolling Rack Dimensions

Rack-mounted unit or mobile system  
W/H/D: 19", 3U, 35 cm; Weight: 5 kg  
W/H/D: 59.7 x 30.5 x 47 cm; Weight: 10,6 kg



Mobile configuration

Specifications subject to change without notice

www.ixblue.com • EMEA: +33 1 30 08 88 88 • AMERICAS: +1 781 937 8800 • APAC: +65 6747 4912

